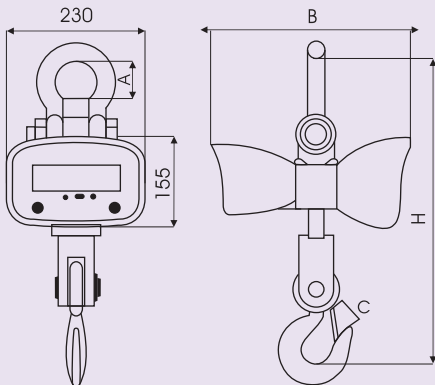


Crane Scale : NHS SERIES

MAIN FEATURES :

- ◆ IR Remote Control Operation.
- ◆ Sturdy design.
- ◆ Rechargeable SMF battery.

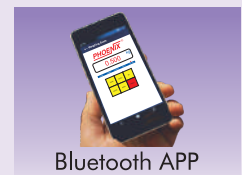


Model	Capacity	Accuracy	A	B	C	H	Weight
NHS - 2 t	2 ton	1.0 kg	80	340	30	420	12 kg
NHS - 5 t	5 ton	2.0 kg	130	360	45	720	23 kg
NHS - 10 t	10 ton	5.0 kg	145	360	60	850	43 kg

All dimensions in mm

ACCESSORIES :

- ◆ Wireless RF extra display.
- ◆ Wireless RF extra indicator.
- ◆ Bluetooth with Phoenix Weighing Scale APP & Phoenix Batch Scale APP.



NITIRAJ ENGINEERS LTD.

Behind Gurudwara, Mumbai-Agra Road,
DHULE - 424 001 (M.S.) INDIA

Tel. : +91-2562-239080, 239046, 239331 Fax : +91-2562-239332

E-mail : response@nitiraj.net

Website : www.nitiraj.net

ISO 9001

NSIC

IS 9281

